



LC Adapter

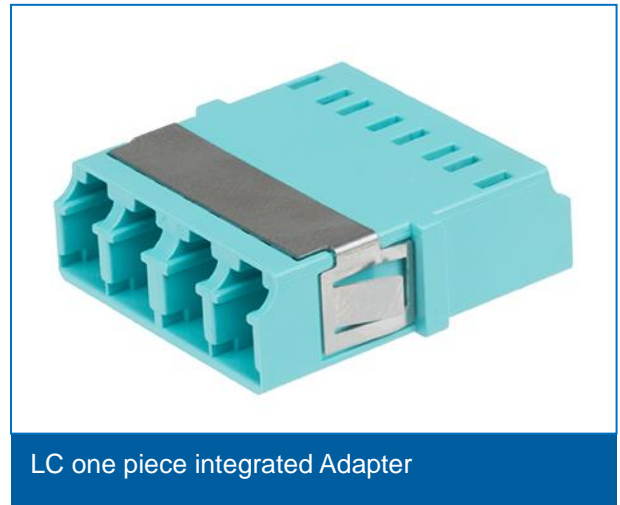
LC one piece integrated Adapter

Description

It's a patented real one-piece integrated structure design .Comparing to the conventional ultrasonic welded or two-parts pressed structure, this one is more stronger. Due to the one-piece body, it can avoid breaking during the utilization; Also, a self-adjusting stable spring was matched. As well as a regular spring for more choice.

Feature

- Duplex and Quad available
- Compact style design
- Patented spring ensure stable fixed in panel
- Real one piece structure design
- Various color available
- IEC 61754-20 complaint
- RoHS/REACH and UL94-V0 inflammability complaint

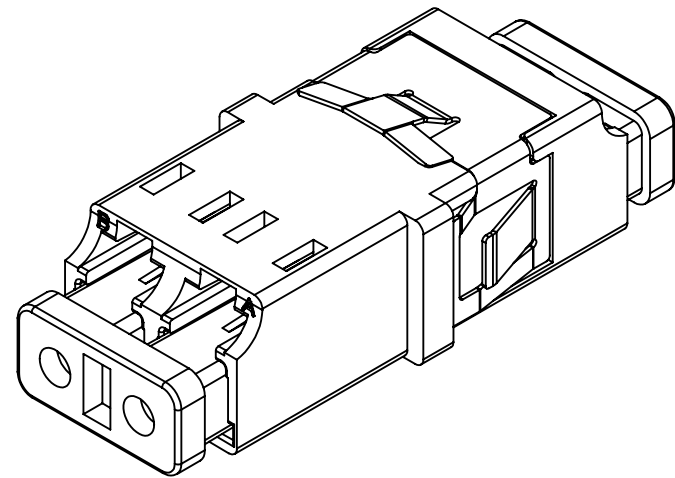
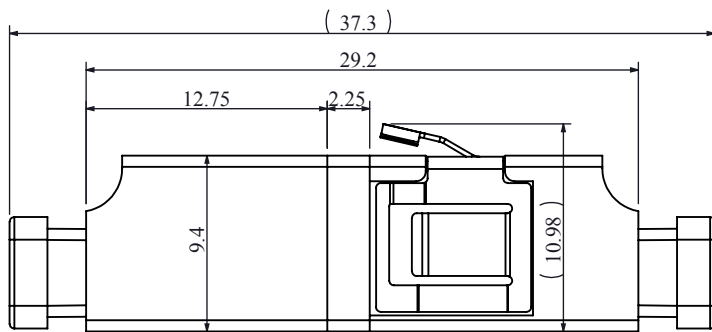
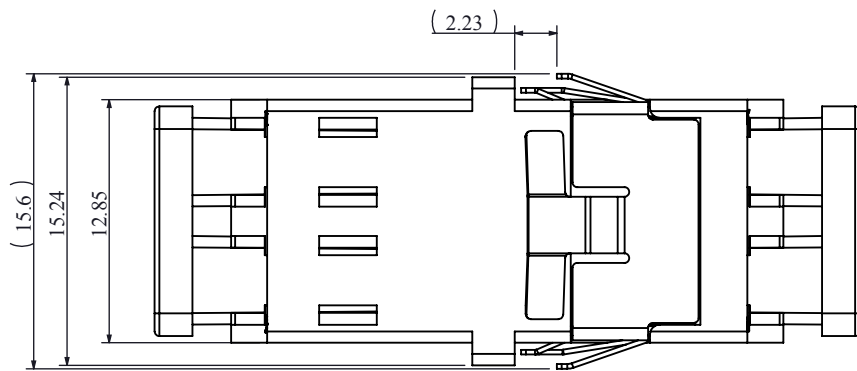


Application

- Telecom network
- Ethernet network
- Optical communication equipment
- Local Area Networks(LANs)
- Data processing networks

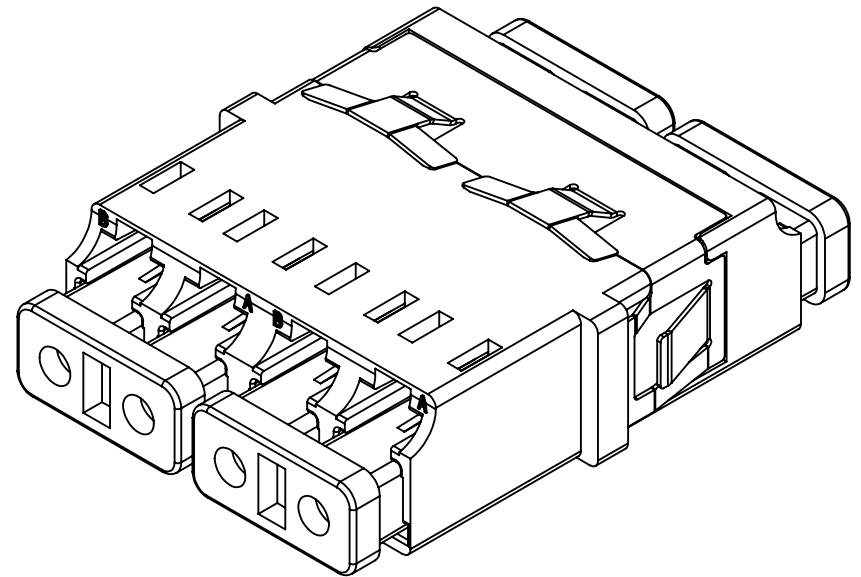
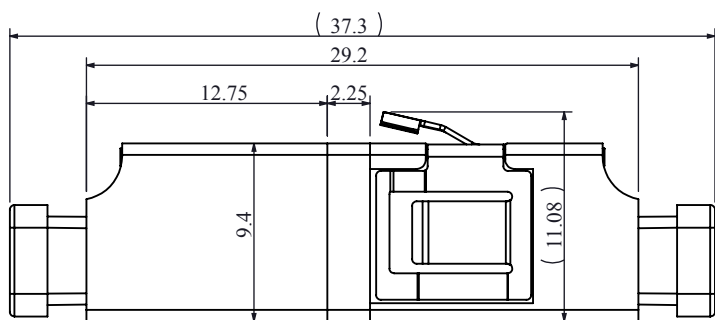
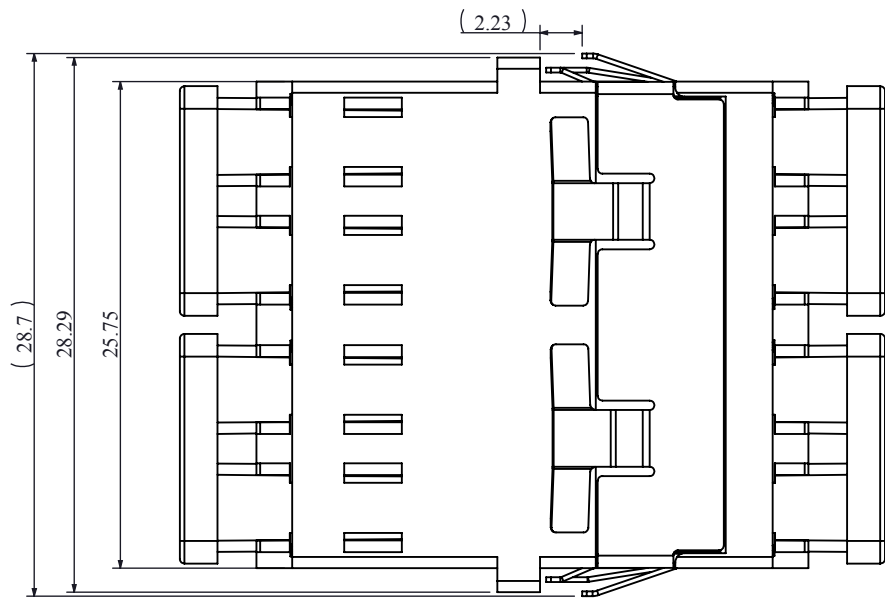
Specification:

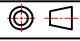


Items	Insertion Loss	Repeatability	Operating Temperature
SM/PC	≤0.2dB	<0.2dB(1000times)	-40℃~+85℃
SM/APC	≤0.2dB	<0.2dB(1000times)	-40℃~+85℃
MM/PC	≤0.2dB	<0.2dB(1000times)	-40℃~+85℃

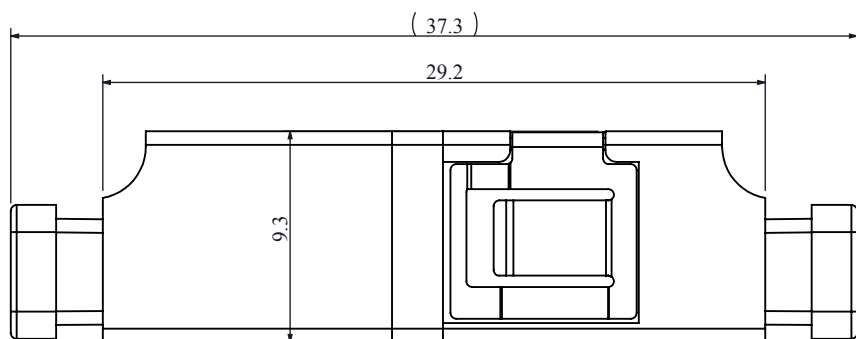
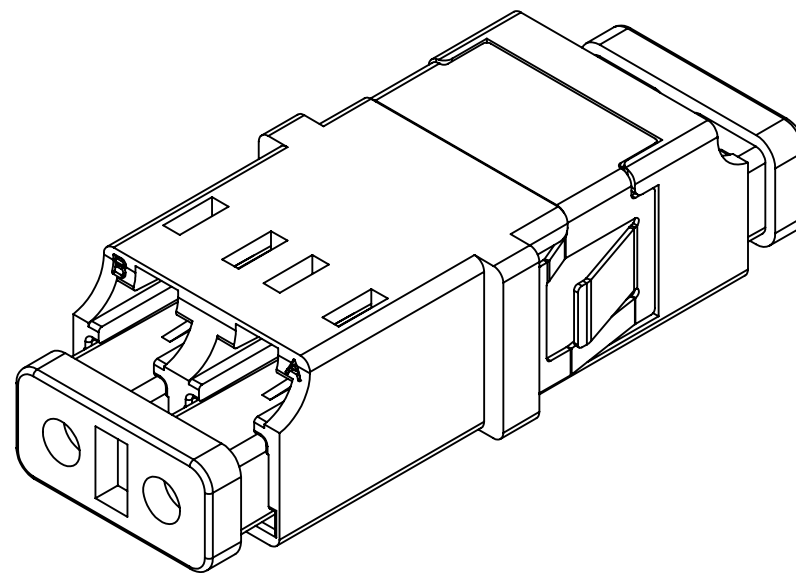
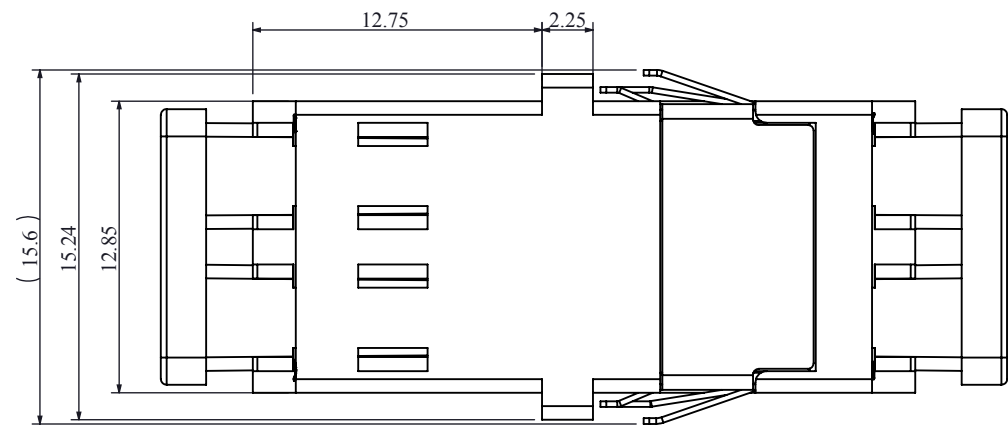


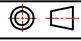


LC Duplex one piece adapter

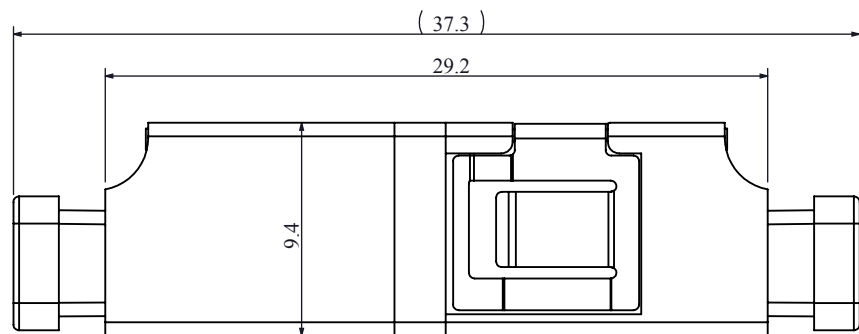
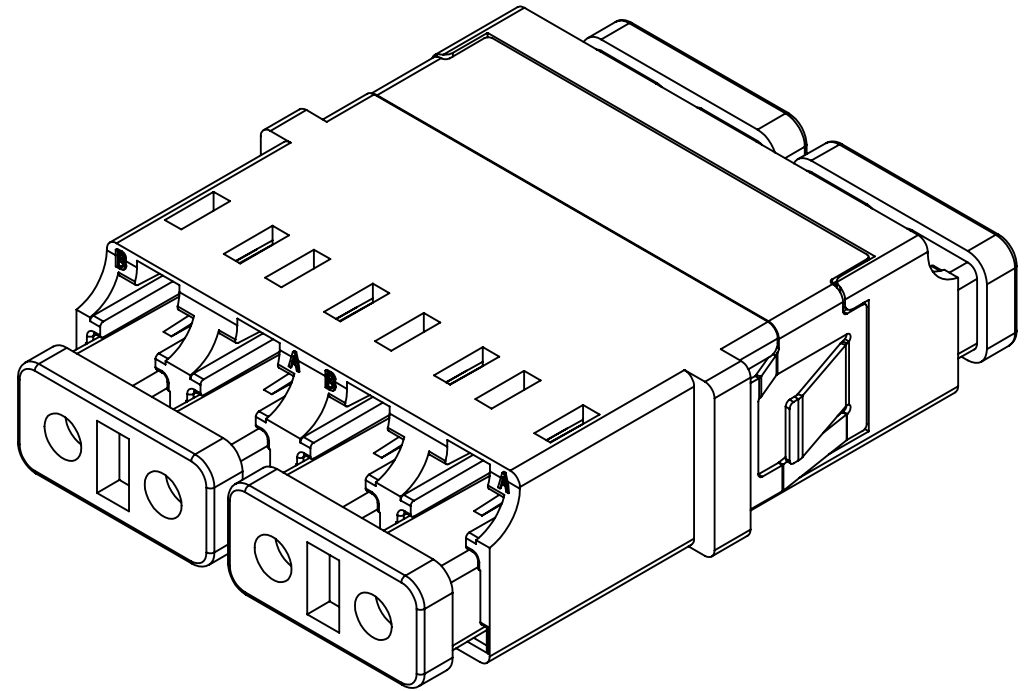
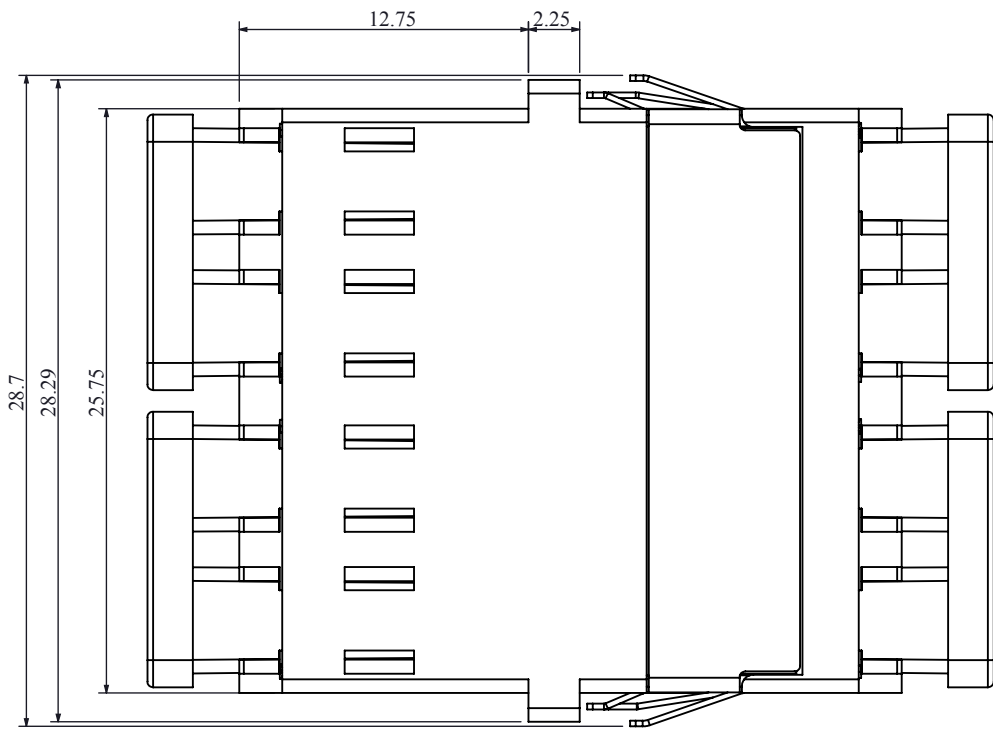
Title	LC Duplex one body adapter		
Drawing	Steven	Item No	
Check	Henry	Drawing No:	
Approval	Williams		
Date	2018	Page: 1-1	曦和光电科技有限公司 XH Opto Tech Co.,LTd



Title	LC Quad one body adapter		
Drawing	Steven	Item No	
Check	Henry	Drawing No:	
Approval	Williams		
Date	2018	Page: 1-1	 曦和光电科技有限公司 XH Opto Tech Co.,LTD



Title	LC Duplex one body adapter with regular spring		
Drawing	Steven	Item No	
Check	Henry	Drawing No:	
Approval	Williams		
Date	2018	Page: 1-1	 曦和光电科技有限公司 XH Opto Tech Co.,LTd



Title	LC Quad one body adapter with regular spring		
Drawing	Steven	Item No	
Check	Henry	Drawing No:	
Approval	Williams		
Date	2018	Page: 1-1	曦和光电科技有限公司 XH Opto Tech Co.,LTd